

**IMPORTANT:
THESE INSTRUCTIONS ARE TO REMAIN
WITH THE APPLIANCE INSTRUCTIONS**

These instructions are supplementary to the Installation and Operating Instructions supplied with the fireplace and should be kept together. Refer to the Installation and Operating Instructions for proper gas supply, safety requirements and operating instructions.



**TOWN & COUNTRY
FIREPLACES™**

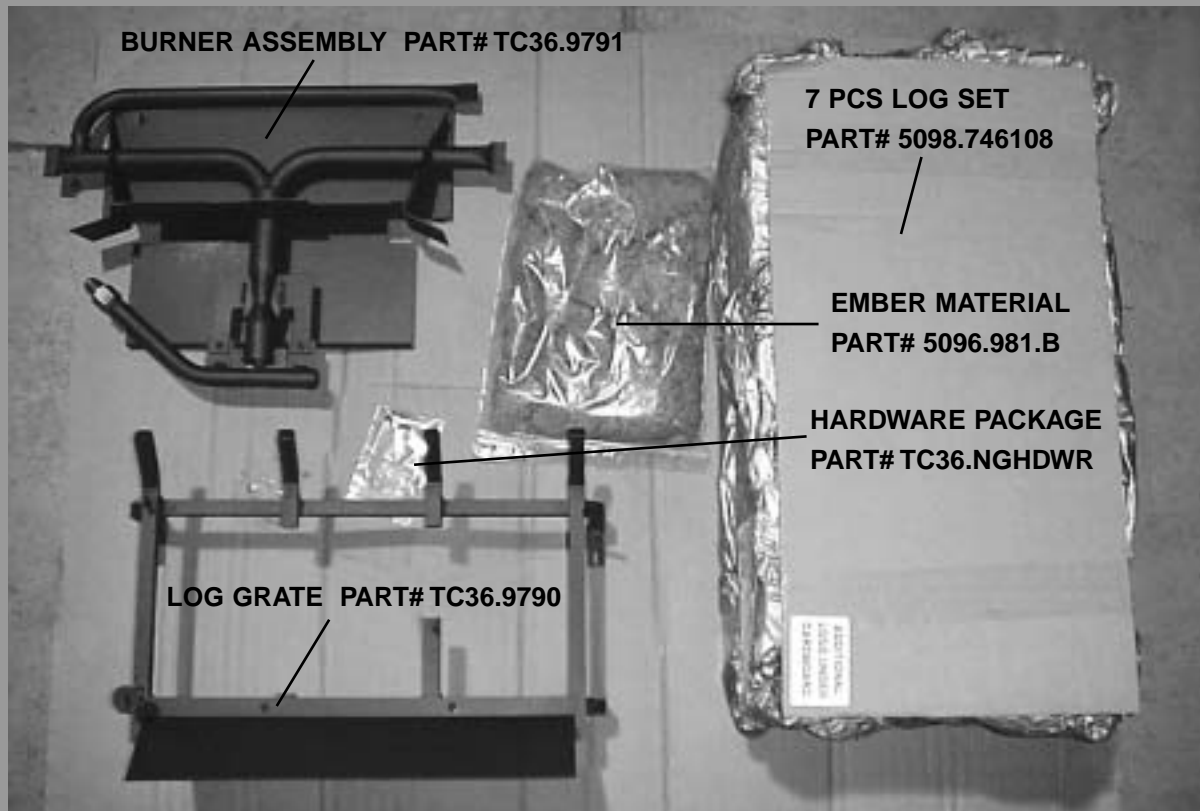
TC36 COUNTRY HOME BURNER KIT INSTRUCTIONS



PART#
TC36.NG02
FOR TC36



Contents of Package



Burner/Grate Installation

Fig. #1



1. Attach the burner assembly to the floor shield in the bottom of the firebox with two screws ensuring that the front edge of the burner is flush with the front of the shield (Fig. #1).

Fig. #2



2. Attach pilot bracket to burner assembly (Fig. #2).

3. Connect flex gas line to the manifold assembly and ensure the connection is gas tight (Fig #3).

4. **If this fireplace is to be fueled by propane, remove the baffle on the rear right hand side of the burner tray (Fig. #4).**

5. Position the the slots of the grate securing brackets over the holes in the floor shield and secure with two screws (Fig. #5).

6. Attach air deflector to rear of grate with two screws (Fig. #6).



Fig. #3



Fig. #4



Fig. #5



Fig. #6

Ember Material

A large bag of ember material is shipped with the fireplace and needs to be installed to ensure optimum performance and flame appearance.

1. Pull apart the material into ember size pieces (approximately 1" squares) and gently place them into the burner pan. Do not compress, leave it loose for best performance.
2. Fill the burner pan level with the top of the pan at rear, and gradually sloping forward down to the firebox floor at the front, covering both burner tubes.
3. Place remaining ember material outside of the burner pan as desired to cover-up gas lines and brackets.

Note:

Ember material placement and amount will affect flame appearance. More ember material results in lower flame height. Add or remove as needed until desired flame affect. Reduce the amount used on Propane models, as too much will create soot.

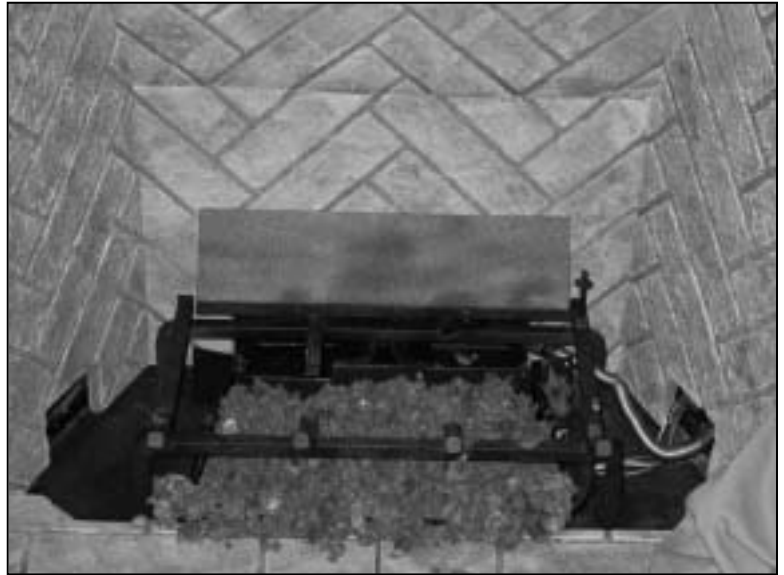


Fig. #7

Log Set Assembly

The logs are packaged in a foam pack inside the box and are fragile, and should be handled with care. Unpack and inspect log set. There should be a total of seven logs. Gas plumbing and vent connections should be completed before proceeding.

Position the logs as indicated by the following pictures on page 5. The three main logs have holes and/or pins. Engage each pin in the corresponding holes. The four smaller logs do not have holes or pins. They rest in position. Locate as per the diagrams (Fig. #7-14).

Note:

Improper placement of logs may cause sooting on internal parts and glass. The logs may need to be repositioned slightly to avoid excessive flame impingement.

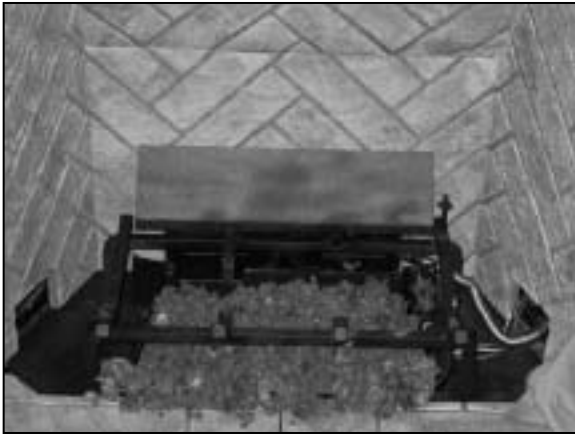


Fig. #7



Fig. #11

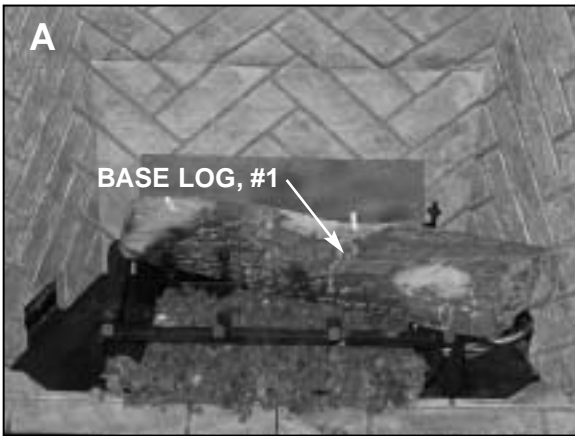


Fig. #8

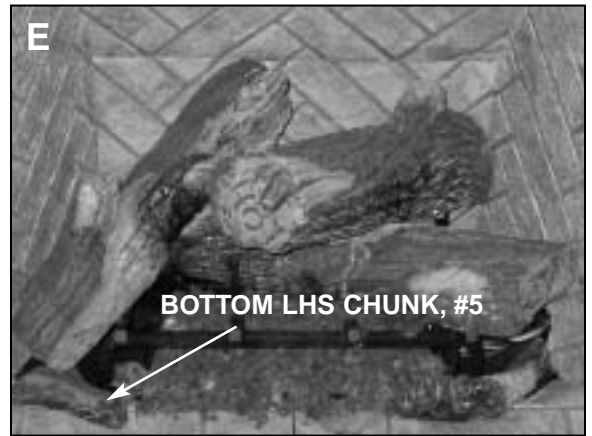


Fig. #12

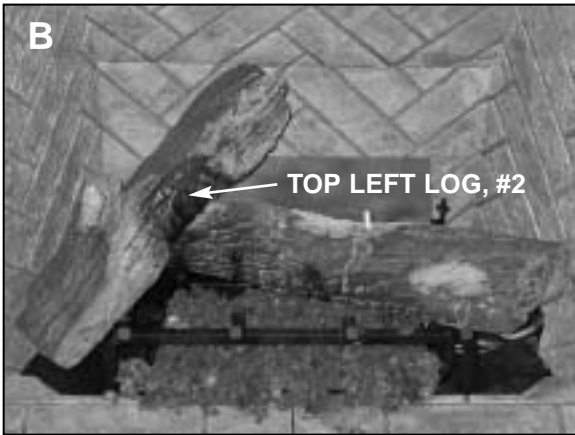


Fig. #9

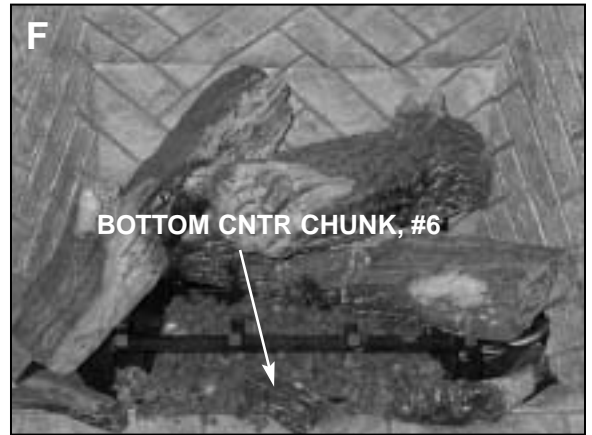


Fig. #13



Fig. #10



Fig. #14

Burner Flame Adjustment

The air shutter on the burner tube controls the primary combustion air to the gas burner and is preset at the factory for natural gas fuel. Some adjustment may be necessary to obtain desired flame and to eliminate carbon deposits. Evaluate flame appearance after the fireplace has reached operating temperature. See Fig. #15 for proper flame pattern.

Open primary air if the logs, glass, and firebox have carbon accumulation and/or the flames are long, dark and stringy. The shutter may also be opened to enhance the Ember Material glow and lessen the flame height.

Caution: Burner area may be hot! Turn off the fireplace and allow the unit to cool before proceeding.

To Adjust:

1. Open and remove window frame and set aside. See "Window Frame Removal" section found in the Installation and Operating Instructions manual.
2. Remove the log set and set aside.
3. Remove baffle from log grate (2 screws)
4. Loosen the screw in the Primary Air Shutter.
5. Rotate the shutter to increase or decrease the amount of primary air.
6. Reassemble in reverse order.



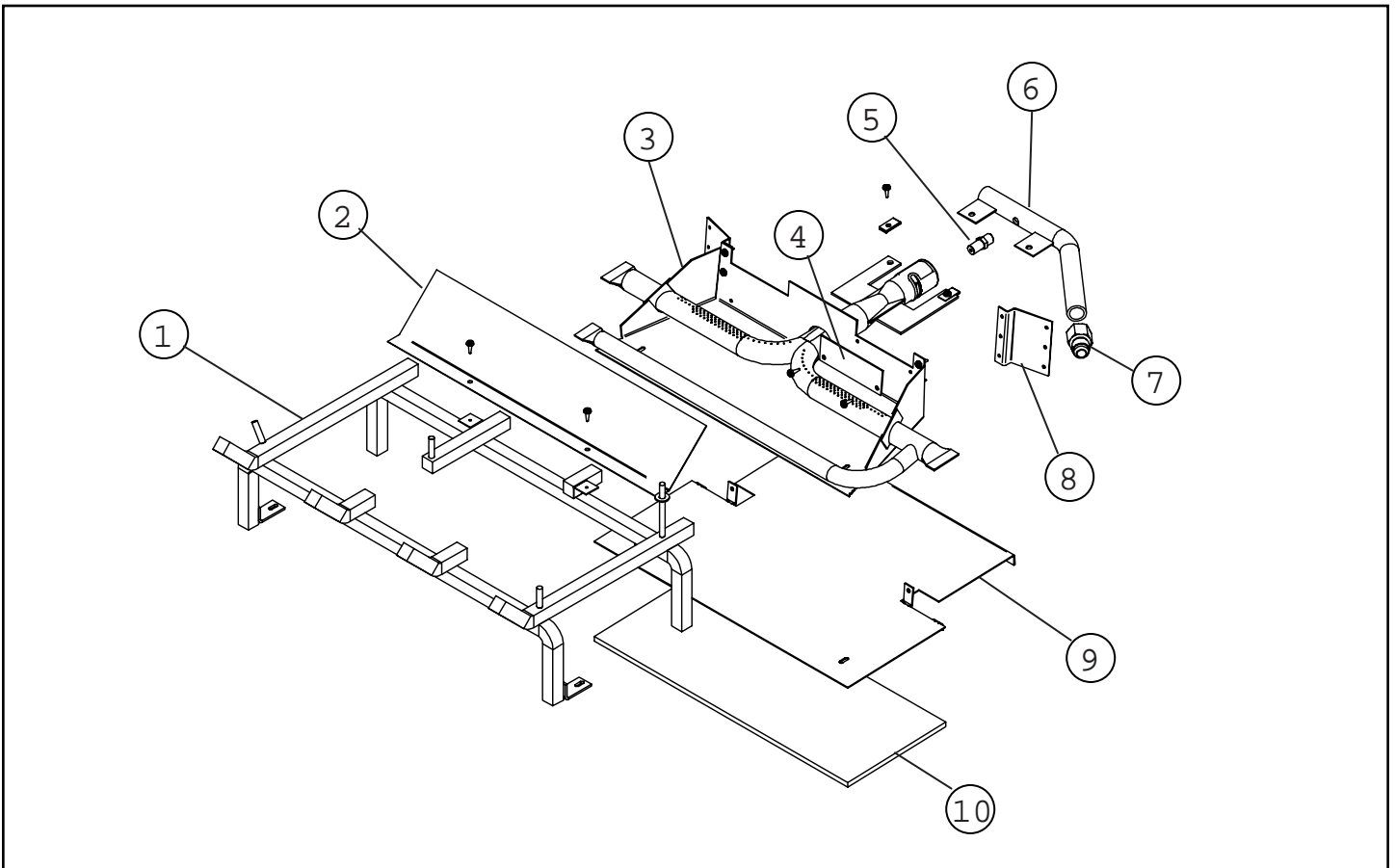
Fig. #15

Caution:
Proper air shutter setting is a must.

The flame should be just orange and "lazy". It should **NEVER** be set to create sooting on internal parts and glass.

Replacement Parts

ITEM	PART NUMBER	DESCRIPTION
1	TC36.9790WLD	LOG GRATE
2	9082	AIR DEFLECTOR
3	TC36.9791WLD	BURNER TRAY
4	9791.1	AIR BLOCK PLATE
5	5022.13	ORIFICE, NG
	5021.34	ORIFICE, LP
6	TC36.9788	MANIFOLD
7	5019.221	DORMONT FITTING
8	9780.01	PILOT SHIELD
9	9789.01	BURNER TRAY SUPPORT SHIELD
10	9789.5	BURNER TRAY SHIELD GASKET
	5098.746108	LOG SET, COMPLETE
	5098.746105	BASE LOG, #1 (shown in Fig.#8)
	5098.746106	TOP LEFT LOG, #2 (shown in Fig.#9)
	5098.746107	TOP RIGHT LOG, #3 (shown in Fig.#10)
	5098.746102	CENTER CHUNK, #4 (shown in Fig.#14)
	5098.746104	BOTTOM LHS CHUNK, #5 (shown in Fig.#12)
	5098.746103	BOTTOM CNTR CHUNK, #6 (shown in Fig.#13)
	5098.746101	BOTTOM RHS CHUNK, #7 (shown in Fig.#11)





TOWN & COUNTRY
FIREPLACES™

TOWN & COUNTRY FIREPLACES
www.townandcountryfireplaces.net

Toll Free: 1-888-223-0088

2975 Allenby Road, Duncan, BC Canada V9L 6V8